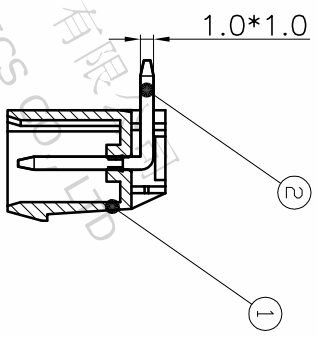
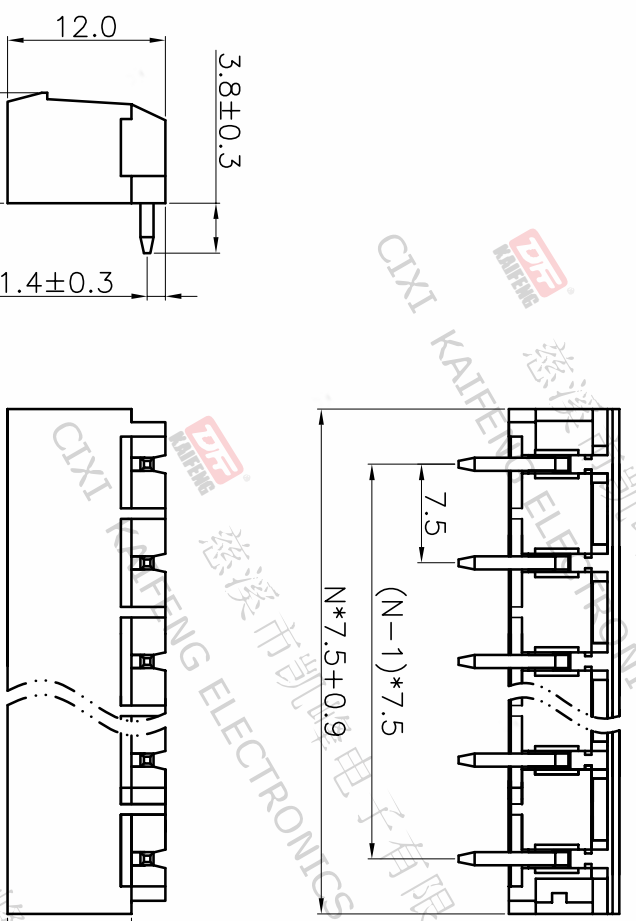
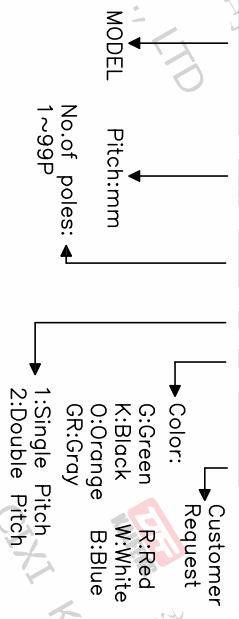


REV.	DESCRIPTION	DATE	DRAFTER	APPROVER
A1	DWG.REL	2020.06.10	DENG	JIN

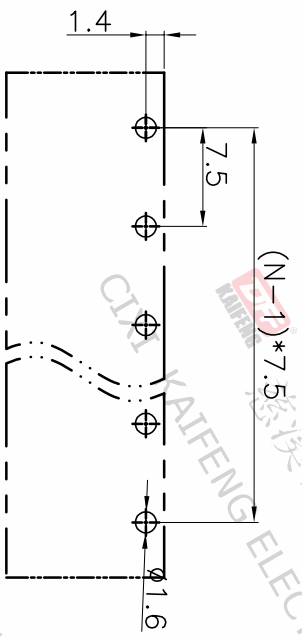


- Material
①Housing: PA66, UL94V-0
②Pin header:Copper alloy,Tin plated
- Electrical
UL IEC
Rated Voltage: 300V 630V
Rated Current: 15A 16A
Contact Resistance: 20mΩ
Insulation Resistance: 500MΩ/DC500V
Withstanding Voltage: AC1500V/1Min
- Mechanical
Temperature Range: -30℃ ~ +105℃
MAX Soldering: +250℃,(5 Seconds)
- RoHS compliance

HOW TO ORDER
KF475-R1-7.5-XXP-1 X-XXXXX



P.C.B.LAYOUT



Pitch range	Nominal dimension range	PROJECTION	UNIT
>0	>0	0.1/10	mm
~6	>30		
~10	~60		
~24	~100		
~30	~150		
±0.15	±0.30	±2°	
±0.20	±0.50		
±0.30	±0.70		
±1.00	±1.30		

DFE 慈溪市凯峰电子有限公司
CIXI KAIFENG ELECTRONICS CO.,LTD

DRAWING TYPE: CUSTOMER DRAWING
SCALE: 1:1 SHEET: 1 OF 1
DRAWING NO.: W16000192

TITLE: KF475-R1-7.5-XXP-1X
SHEET SIZE: A4
SERIES: KF4751